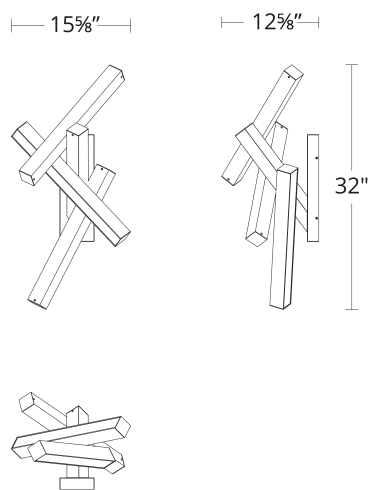
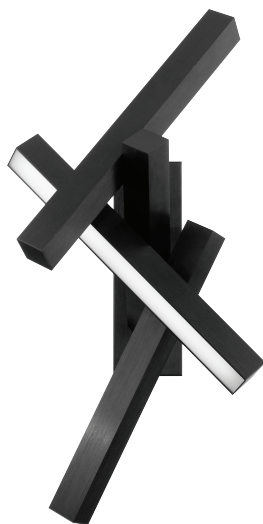


CHAOS Interior Sconces
WS-64832

MODERN FORMS



Fixture Type:

Catalog Number:

Project: _____

Location: _____

PRODUCT DESCRIPTION

Like piano keys falling through the air, Chaos freezes a moment in time with breathtaking elegance. Each section of this sculptural form is equipped with consistent, highly efficient LEDs for refined illumination throughout. Available in brushed aluminum, aged brass or black. Let chaos reign.

SPECIFICATIONS

Construction: Aluminum body with acrylic diffuser

Light Source: High output LED

Finish: Brushed Aluminum, Aged Brass, Black

Standards: ETL & cETL listed, Damp Location listed, Title 24 Compliant

FEATURES

- Fixed sculptural form
- Can be mounted on the wall in all orientations
- Universal Driver (120V-277V) concealed within the canopy
- Dimming: ELV, 0-10V, TRIAC
- Color Temperature: 3000K
- CRI: 90
- Rated Life: 50,000 hours

ORDER NUMBER

Model	Height	Wattage	Voltage	LED Lumens	Delivered Lumens	Finish
WS-64832	32"	29W	120-277V	1,838	1,255	AL <i>Brushed Aluminum</i> AB <i>Aged Brass</i> BK <i>Black</i>

Example: **WS-64832-AB**

modernforms.com	Headquarters/Eastern Distribution Center	Central Distribution Center	Western Distribution Center
Phone (866) 810.6615	44 Harbor Park Drive	1600 Distribution Ct	1750 Archibald Avenue
Fax (800) 526.2585	Port Washington, NY 11050	Lithia Springs, GA 30122	Ontario, CA 91760