



Project: \_\_\_\_\_

Location: \_\_\_\_\_

Fixture Type: \_\_\_\_\_

Catalog Number: \_\_\_\_\_

**AVAILABLE FINISHES:**



# Imperial

PD-32242

**PRODUCT DESCRIPTION**

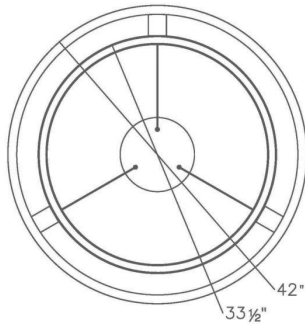
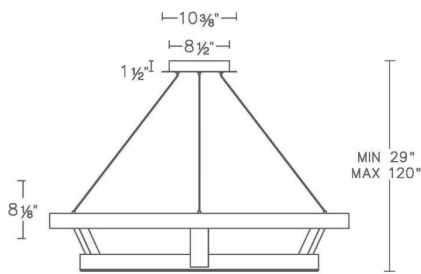
An architecturally scaled, two tiered pendant offering both upward and downward illumination from energy efficient LEDs. Clean curvaceous lines from the streamlined silhouette complement the best in today's upscale interiors.

**FEATURES**

- Driver concealed within the canopy
- Up and down illumination
- Streamlined architectural silhouette
- Spin-on round canopy with minimal hardware
- Thin power aircraft cables provide an ultra clean look for adjustable suspension height

**SPECIFICATIONS**

<b>Rated Life</b>	54000 Hours
<b>Standards</b>	ETL, cETL, Damp Location Listed
<b>Input</b>	120-277V, 50/60Hz
<b>Dimming</b>	ELV, 0-10V, TRIAC
<b>Color Temp</b>	3000K
<b>CRI</b>	90
<b>Construction</b>	Bended extruded aluminum body with silicone diffuser



PD-32242

Model & Size	Color Temp	Finish	LED Watts	LED Lumens	Delivered Lumens
PD-32242 42"	3000K	BK Black BN Brushed Nickel	81.8W	7965	3911

Example: **PD-32242-BN**

For custom requests please contact [customs@modernforms.com](mailto:customs@modernforms.com)