

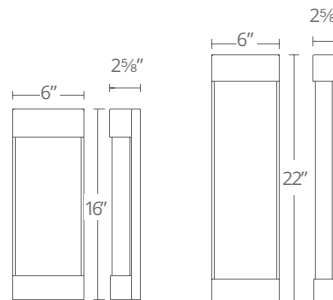


**Fixture Type:** \_\_\_\_\_

**Catalog Number:** \_\_\_\_\_

**Project:** \_\_\_\_\_

**Location:** \_\_\_\_\_



WS-W37916

WS-W37922

**PRODUCT DESCRIPTION**

Like diving down into the mysterious depths below the ocean surface. Dramatic cast art glass in a watery design emerges and is showcased with bold black hardware that illuminates from above and below. This artfully crafted wall sconce complements upscale interior and exterior finishes with sophisticated style.

**SPECIFICATIONS**

**Construction:** Aluminum

**Light Source:** High output LED

**Finish:** Black (BK)

**Standards:** ETL & cETL Wet Location listed, CEC Title 24 Compliant

**FEATURES**

- Cast art glass
- Weather-resistant powder coat
- Up and down illumination
- No transformer or driver needed
- Dimmer: ELV
- Rated Life: 50,000 hours
- Color temp: 3000K
- CRI: 90

**ORDER NUMBER**

Model	Height	Wattage	Voltage	LED Lumens	Delivered Lumens	Finish
WS-W37916	16"	39W	120V	1868	1134	BK
WS-W37922	22"					Black

Example: WS-W37916-BK

modernforms.com  
Phone (866) 810.6615  
Fax (800) 526.2585

Headquarters/Eastern Distribution Center  
44 Harbor Park Drive  
Port Washington, NY 11050

Central Distribution Center  
1600 Distribution Ct  
Lithia Springs, GA 30122

Western Distribution Center  
1750 Archibald Avenue  
Ontario, CA 91760