

LED Interior Pendants & Chandeliers

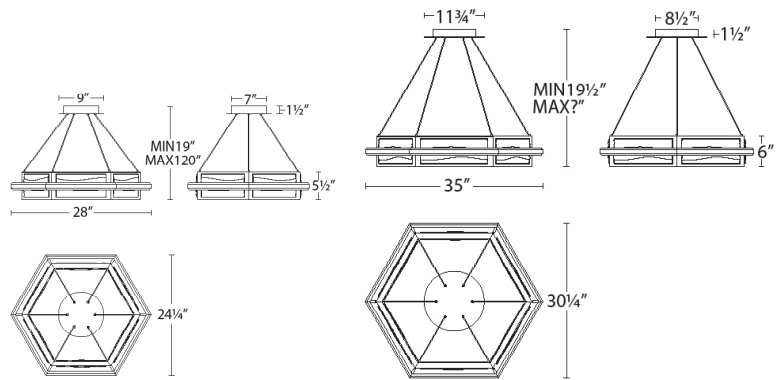


Fixture Type:

Catalog Number:

Project: _____

Location: _____



PRODUCT DESCRIPTION

The rhythm of moonlight on the sea is captured within the molded glass lens floating inside the frame. Integral LEDs backlight the glass for a stunning luminous effect, like reflections of moonlight on waves.

FEATURES

- Cast art glass
- Quick spin-on canopy design with minimal hardware for easy installation
- Thin, powered aircraft cables provide an ultra clean look for adjustable suspension height
- Universal Driver (120V-277V) concealed within the canopy
- Dimming: ELV, 0-10V, TRIAC
- Rated Life: 50,000 hours
- Color Temp: 3000K
- CRI: 90

ORDER NUMBER

	Size	Wattage	Voltage	LED Lumens	Delivered Lumens	Finish
PD-39928	28"	44W	120-277V	3000	1311	AN <i>Antique Nickel</i>
PD-39935	35"	64W		4000	1900	

Example: **PD-39928-AN**

modernforms.com
Phone (800) 526.2588
Fax (800) 526.2585

Headquarters/Eastern Distribution Center
44 Harbor Park Drive
Port Washington, NY 11050

Central Distribution Center
1600 Distribution Ct
Lithia Springs, GA 30122

Western Distribution Center
1750 Archibald Avenue
Ontario, CA 91760

SPECIFICATIONS

Construction: Aluminum body with pressed glass diffuser

Light Source: High output LED

Finish: Aged Nickel (AN)

Standards: ETL & cETL Damp Location listed, Title 24 Compliant